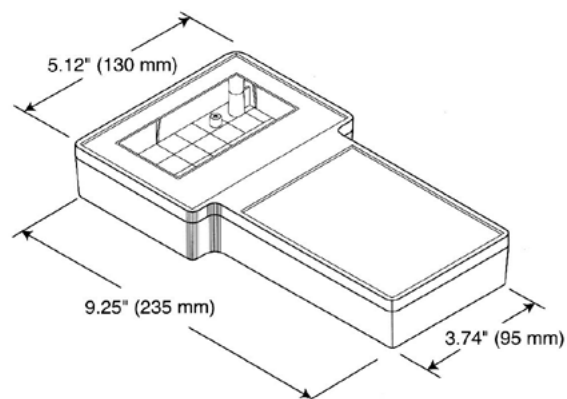
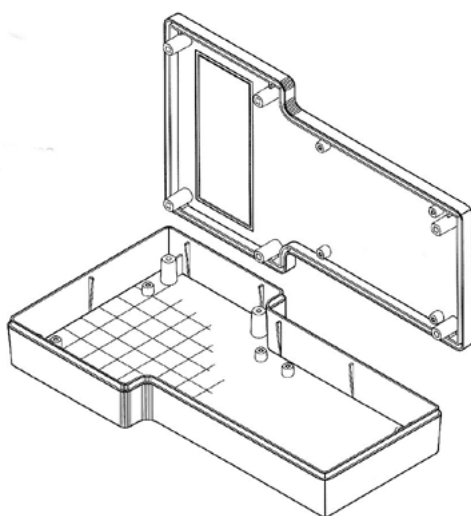
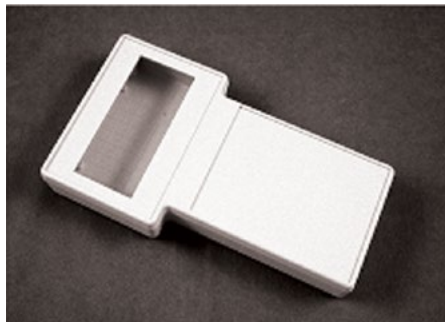


## Hammond Hand Held Display Box – 1592

Designed as mobile data enclosure requiring a keypad and display • Material: FR ABS in Black or Grey.

- Available with either a solid display area or clear lens opening.
- Rubber feet fit into the recessed screw areas to provide a standoff and additional sealing from dirt and moisture.
- With proper sealing of the display lens, other modifications and the use of the gasket, the unit will provide protection from dirt, dust and liquids.
- Ergonomically designed for a comfortable fit in the users hand.
- Shrink wrapped for protection.



For detailed drawings and CAD files visit [www.hammondmfg.com](http://www.hammondmfg.com)

| Part Number    | Colour | Description   | Length | Width  | Depth |
|----------------|--------|---|--------|--------|-------|
| 26-1592ETSDGY  | Grey   | Grey case with solid display area                             | 234mm  | 130mm  | 34mm  |
| 26-1592ETSDBK  | Black  | Black case with solid display area                            | 234mm  | 130 mm | 34mm  |
| 26-1592RETSDBK | Black  | Black shielded case with solid display area                   |        |        |       |
| 26-1592ETCDGY  | Grey   | Grey case, open display insert, clear polycarbonate lens kit  | 234mm  | 130mm  | 34mm  |
| 26-1592ETCDBK  | Black  | Black case, open display insert, clear polycarbonate lens kit | 234mm  | 130mm  | 34mm  |

### Options Available

|              |  |
|--------------|--|
| 26-1592ETG   | Gasket kit with 0.76 metre of gasket (for 1 unit)      |
| 26-1592RF    | Rubber feet (kit of 6)                                 |
| 26-1592ETM   | Magnetic strip 7.62 cm square                          |
| 26-1592ETV   | Velcro mounting tab                                    |
| 26-1592MS100 | M3x20mm countersunk flat head replacement screws (100) |