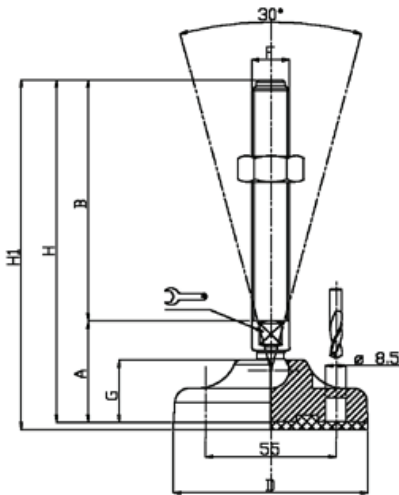


## Plastic Line

**Black Polyamide Plastic Base 83 Diameter - 30 Deg. Articulated Stainless Steel Screw**  
 Static Load Newton M10-M12 15000, M16-M20 20000 • 15 Socket • Non-Skid NBR Rubber 70 shore pads available

Part no. Base	Part no. Screw	Screw	S	B	D	Adjust	F	G	H
11-FBP15-83	11-ASSS15-10-050	M10X50	38	50	83	14	M10	27	88
11-FBP15-83	11-ASSS15-10-100	M10X100	38	100	83	14	M10	27	138
11-FBP15-83	11-ASSS15-10-125	M10X125	38	125	83	14	M10	27	163
11-FBP15-83	11-ASSS15-12-075	M12X75	38	75	83	14	M12	27	113
11-FBP15-83	11-ASSS15-12-100	M12X100	38	100	83	14	M12	27	138
11-FBP15-83	11-ASSS15-12-125	M12X125	38	125	83	14	M12	27	163
11-FBP15-83	11-ASSS15-12-150	M12X150	38	150	83	14	M12	27	191
11-FBP15-83	11-ASSS15-16-075	M16X75	41	75	83	13	M16	27	116
11-FBP15-83	11-ASSS15-16-100	M16X100	41	100	83	13	M16	27	141
11-FBP15-83	11-ASSS15-16-125	M16X125	41	125	83	13	M16	27	166
11-FBP15-83	11-ASSS15-16-150	M16X150	41	150	83	13	M16	27	191
11-FBP15-83	11-ASSS15-16-175	M16X175	41	175	83	13	M16	27	216
11-FBP15-83	11-ASSS15-20-100	M20X100	41	100	83	13	M20	27	141
11-FBP15-83	11-ASSS15-20-150	M20X150	41	150	83	13	M20	27	191
11-FBP15-83	11-ASSS15-20-175	M20X175	41	175	83	13	M20	27	216
11-FBP15-83	11-ASSS15-20-200	M20X200	41	200	83	13	M20	27	241



Two piece part