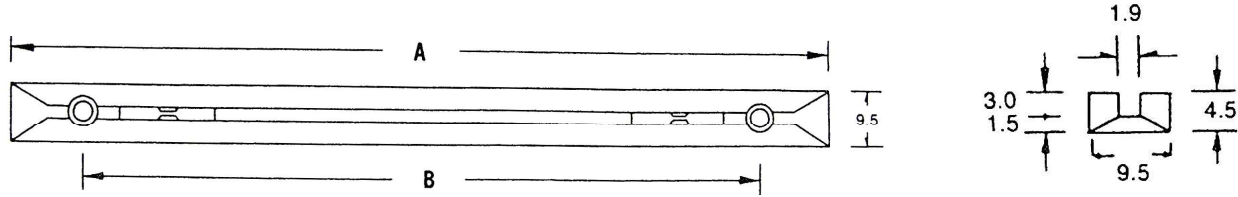


## PCB Track

Spring action to retain 1.5mm PCB

• Slotted base permits circulation of air



Part Number	A mm	B mm	Mounting
07-PBT90A	89	77.5	2x Integral Nylon spigots - 3mm holes
07-PBT90	89	64.5	2x M3/6mm Flat head screws
07-PBT120	119	94.5	2x M3/6mm Flat head screws
07-PBT140	140	115.5	2x M3/6mm Flat head screws

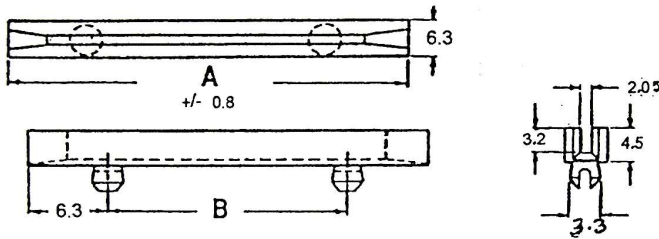
Material: Nylon 6/6

## PCB Tracks - Miniature Horizontal Mount

Narrow profile permits close spacing

• Easily snap into pre-punched holes

Anti-Static type has a stainless steel insert ground plane to make circuit contact



### Std Nylon Snap-in PCB Track

Moulded in tough high dielectric nylon 6/6

Part Number	Length A mm	Hole centres B
07-CGS064	63.5	50.8
07-CGS102	101.6	88.9
07-CGS152	152.4	139.7

The CGS ,BS & BHCG Series are designed to fit a 3.2 +0.06 -0.02mm front diameter hole and a 3.0 +0.18 -0.08mm x 5.5mm slot rear hole.

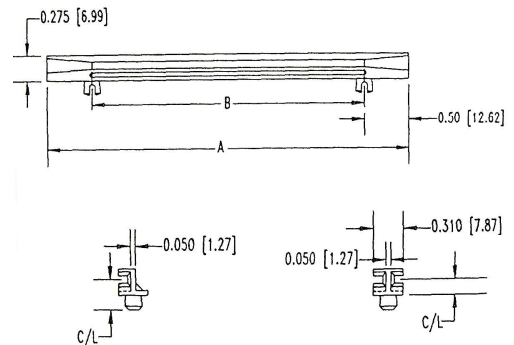
## PCB SideTrack Horizontal Mount

Centre line height of 4.2mm

• Mount on side panel to save space

• Both ends have tapered ramp entries

Part Number Single Sided	Part Number Double Sided	Length A + 0.4	Hole Centres B + 0.4
07-BHCG-251-165	07-BHCG-252-165	63.5	38.1
07- BHCG-301-165	07- BHCG-302-165	76.2	50.8
07- BHCG-351-165	07- BHCG-352-165	88.9	63.5
07- BHCG-401-165	07- BHCG-402-165	101.6	76.2
07- BHCG-601-165	07- BHCG-602-165	152.4	127.0



Slotting of 2nd hole is recommended to allow for length variations.  
Hole Size : 4.4mm dia. + 0.08 - 0.03 Panel thickness 1.2 to 2.3mm