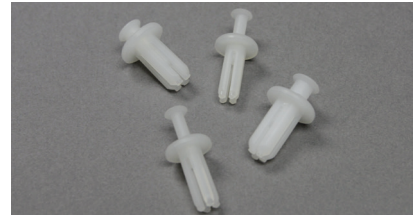


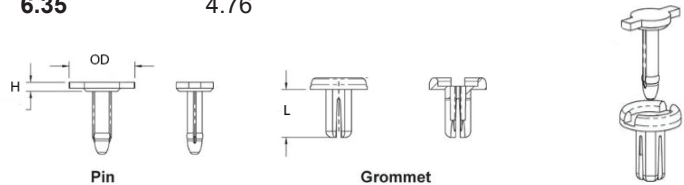
Two-Piece Removable Rivets

Removable rivets, two-piece • Can be removed by inserting a screwdriver under pin

Part Number	OD	Height H	Length L	Hole Size	Panel Thickness
04-PTPR516	9.53	1.78	12.70	4.78	1.59
04-PTPR532	9.53	1.78	12.70	4.78	3.18
04-PTPR616	11.11	1.78	12.70	6.35	1.59
04-PTPR632	11.11	1.78	12.70	6.35	3.18
04-PTPR648	11.11	1.78	12.70	6.35	4.76



Natural nylon 6/6

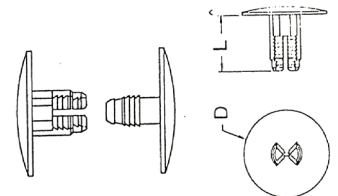
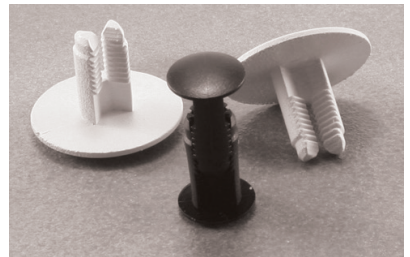


Ratchet Rivets

Large head option. • Strong Connection • Suitable for soft materials

Identical nylon fastners, pressed together to close. Use two per connection

Part Number	Hole Diameter	Panel Thickness	Length L	Head Diameter D	Head Height
04-PRR70609	6.4	6.0-7.5	5.5	9.5	1.0
04-PRR70610*	7.1	6.0-7.5	5.5	10.3	1.0
04-PRR70619*	7.1	6.0-7.5	5.5	19.1	2.0
04-PRR70810*	7.1	8.8-12.7	8.7	10.3	1.0
04-PRR70819	7.1	8.8-12.7	8.7	19.1	2.0
04-PRR71319**	7.1	12.7-20.6	12.7	19.1	2.0
04-PRR71919*	7.1	19.8-34.9	19.1	19.1	2.0
04-PRR71310*	7.1	12.7-20.62	12.7	10.3	2.0
04-PRR71910*	7.1	19.81-34.93	19.05	10.3	2.0



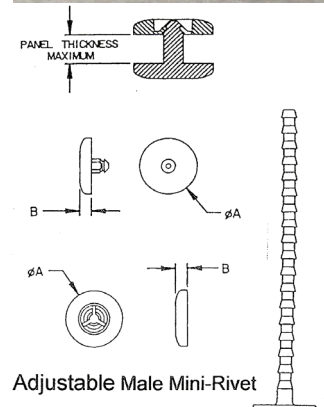
Nylon 6/6

*Available in black ** Available in heat stabilised black nylon

Mini Rivets

Press together for quick fastening • Male and Female parts are packaged and sold separately

Part Number	Description	Post Diameter	Panel Thickness	Diameter A	Thick B
04-PMRM114	Male	1.52	1.14	6.35	1.27
04-PMRM116	Male	1.52	1.57	6.35	1.27
04-PMRM191	Male	1.52	1.91	6.35	1.27
04-PMRM205B	Male	2.39	0.5	9.5	1.9
04-PMRM2127	Adj. Male	2.39	1.57 - 9.53	8.99	1.57
04-PMRM223*	Male	2.39	2.29	9.53	1.91
04-PMRM279	Male	2.39	7.92	9.53	1.91
04-PMRM3479*	Adj. Male	3.12	3.2 - 47.9	12.7	1.6
04-PMRM308	Male	3.18	0.81	12.7	2.54
04-PMRM311	Male	3.18	1.14	12.7	2.54
04-PMRM320	Male	3.2	1.6	12.7	2.5
04-PMRM324	Male	3.2	2.4	12.7	2.5
04-PMRM332	Male	3.2	3.2	12.7	2.5
04-PMRM348*	Male	3.2	4.8	12.7	2.5
04-PMRF1	Female	1.52	N/A	6.35	1.27
04-PMRF2*	Female	2.39	N/A	9.53	1.91
04-PMRF3*	Female	3.2	N/A	12.7	2.5



Nylon 6/6

*Available in black